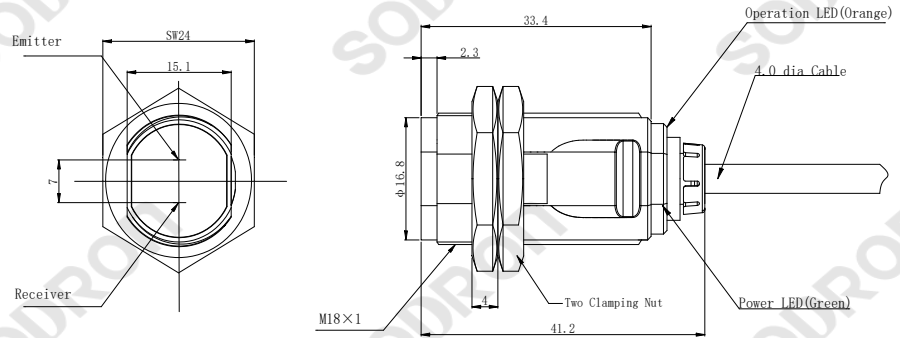




## Dimension



Model	Technical parameters	
	Sensing method	Retro-reflective
	Model	NPN PM18-R04BNWR PNP PM18-R04BPWR
	Sensing distance	4 m (with 40 × 60 mm reflector)
	Standard target	> Φ75mm (Opaque object)
	Output mode	Light-ON/Dark-ON (Wire switching)
	Light source	620nm Red LED
	Supply power	DC 12~24V ±10% , impulse (P-P) <10%
	Directivity angle	> 2°
	Residual voltage	<2V (Load Current: ≤100mA)
	Current consumption	<20mA
	Load current	≤100mA
	Circuit protection	Power reverse direction connection protection, short circuit protection
	Response time	<1ms
	Indicator light	Output LED: Orange LED, Power/stable: Green LED
	Connection	Cable 2m (PVC)
	Ambient temperature	Work: -25 ~ +55°C; Store: -40 ~ +70°C (No dew condensation or icing allowed)
	Ambient humidity	Work: 35 ~ 85%RH, Store: 35 ~ 95%RH, (No dew condensation)
	Ambient illumination	Sunlight: <10,000Lx, lamplight: <3,000Lx
	Withstand voltage	1000 VAC, 50/60 Hz, 1 min.
	Insulation resistance	>20MΩ (DC500V megger) between current-carrying parts and case
	Anti-vibration	10~55Hz double-amplitude 1.5mmX,Y,Z 2h
	Anti-impact	500m/S <sup>2</sup> X, Y,Z , directions for 3 times
	Protection degree	IEC IP65
	Housing	PBT+ABS
	Material Lens mount	ABS
	Lens	PMMA

## Product features

- Retro-reflective
- 620nm Red LED
- IEC IP65

## Connection

